

TRADITIONAL REVERSE OSMOSIS AIR GAP

Model # 2100



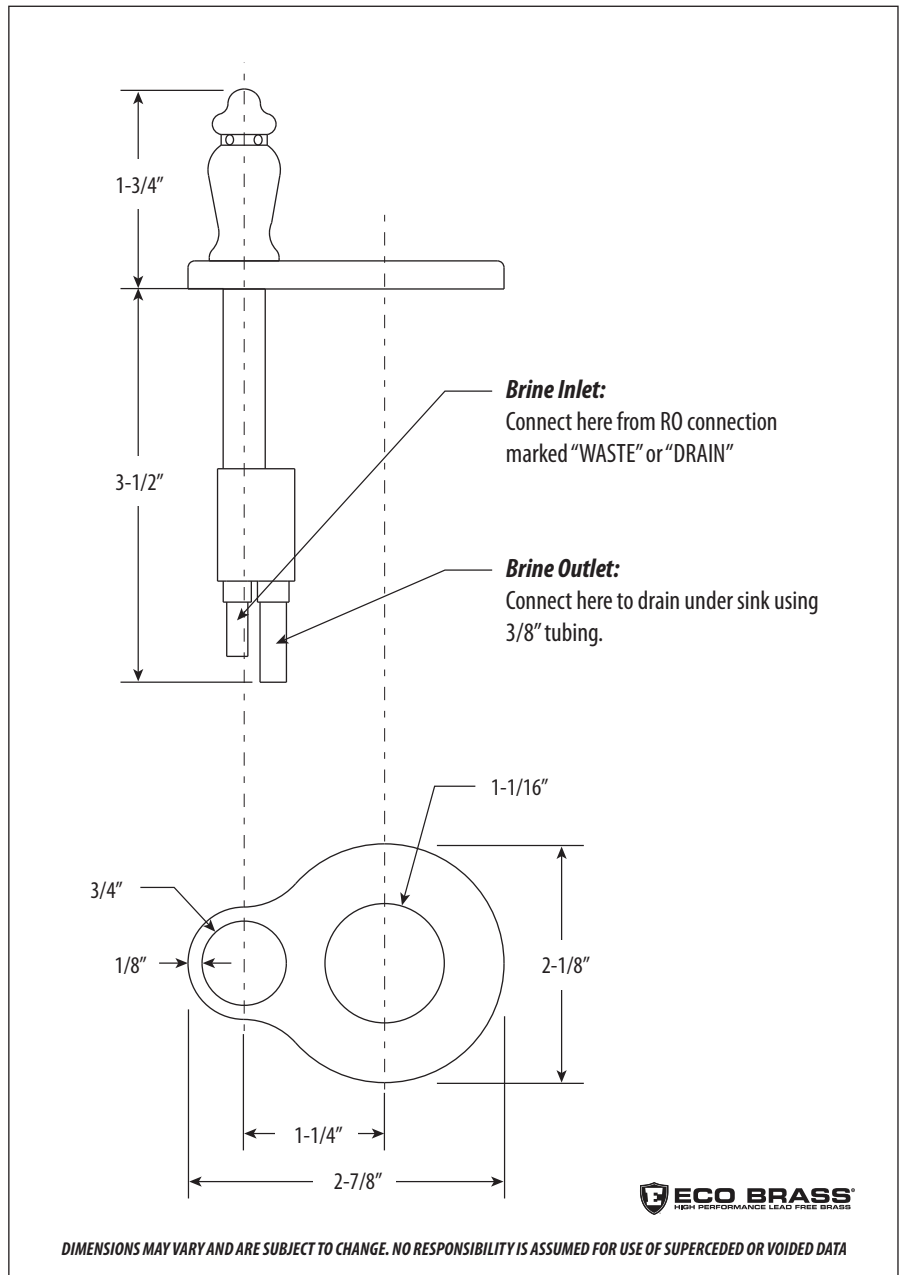
PRODUCT DESCRIPTION

- Designed for use with Waterstone Filtration Faucets.
- Solid brass construction.

CODES/STANDARDS APPLICABLE

Specified model meets or exceeds the following:

- ASME A112.18.1
- CSA B125.1



AVAILABLE IN 33 FINISHES

Almond - 01	Black Nickel - BLN	Distressed Antique Copper - DAC	Polished Gold - PG	Unlaquered Polished Brass - UPB
Antique Brass - AB	Black-Oil Rubbed Bronze - ORB	Distressed American Bronze - DAMB	Polished Nickel - PN	Venetian Bronze - VB
Antique Bronze - ABZ	Biscuit - 07	Distressed Antique Pewter - DAP	Satin Brass - SB	Weathered Brass - WB
Antique Copper - AC	Caribbean Bronze - CB	Euro-White - EW	Satin Chrome - SC	Weathered Copper - WC
American Bronze - AMB	Chocolate Bronze - CHB	Matte Black - MB	Satin Gold - SG	White - WT
Antique Pewter - AP	Chrome - CH	Polished Brass - PB	Satin Nickel - SN	
Black - 06	Distressed Antique Brass - DAB	Polished Copper - PC	Tuscan Brass - TB	