



PALLADIAN DECK MOUNT 3-PORT 2-WAY DIVERTER

ROHL Transitional Palladian

A1917LM (Metal Lever)

A1917XM (Cross Handle)

FEATURES

- Deck mounted diverter for use on bathtubs with built in tub spouts
- 3/4" NPT inlet
- 3/4" NPT outlet for tub spout
- 1/2" NPSM outlet for handshower

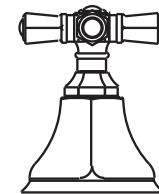
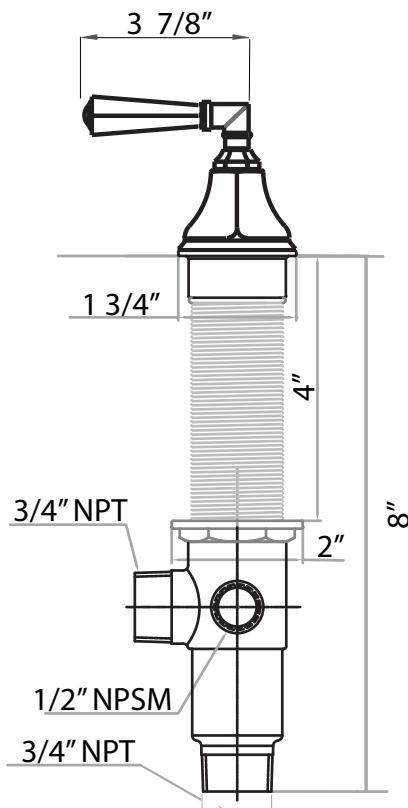
COLORS/FINISHES

- Polished Chrome
- Polished Nickel
- Satin Nickel
- Tuscan Brass
- Inca Brass

WARRANTY

- Limited Lifetime*
- *No warranty on Tuscan Brass Finish (TCB)

A1917LM



A1917XM