

**INSTALLATION INSTRUCTIONS
EXPOSED T WITH HAND SHOWER**

NEWPORT BRASS®

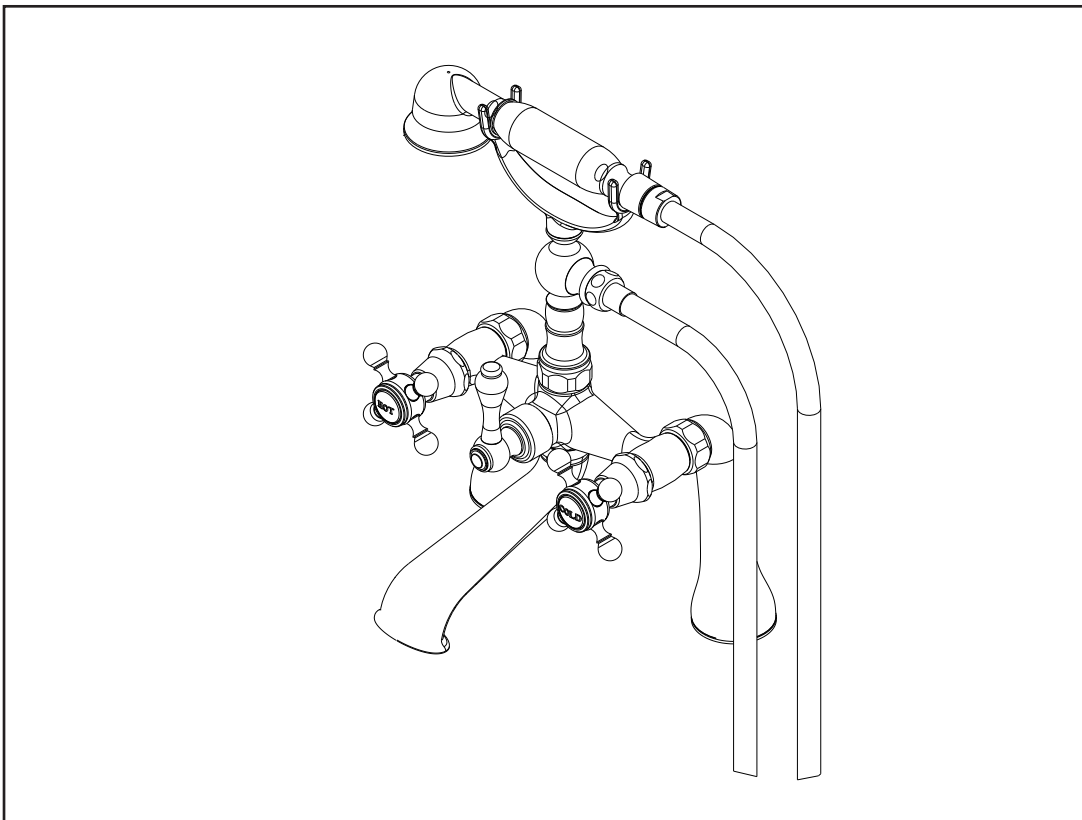
Flawless Beauty. From Faucet to Finish.™

Model No: 933, 1013

850-4273

2400-4272

2400-4273

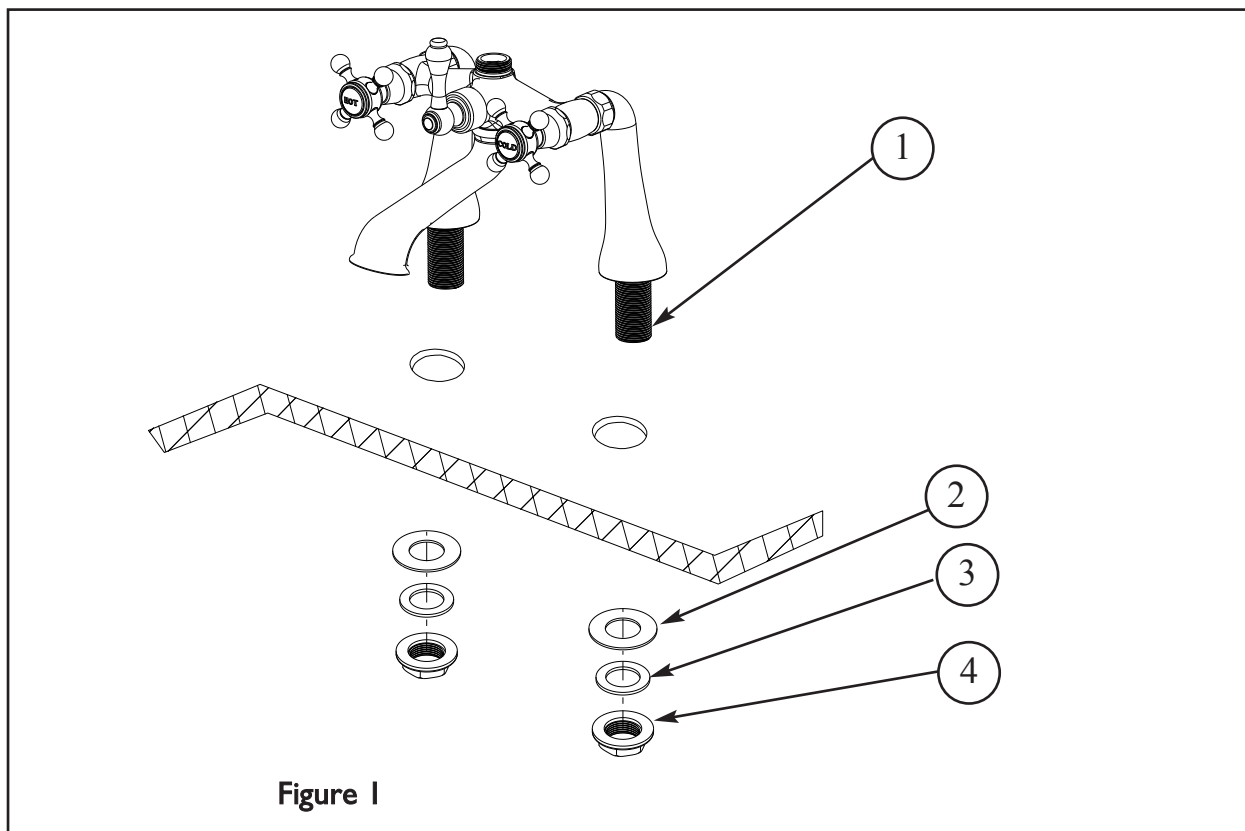


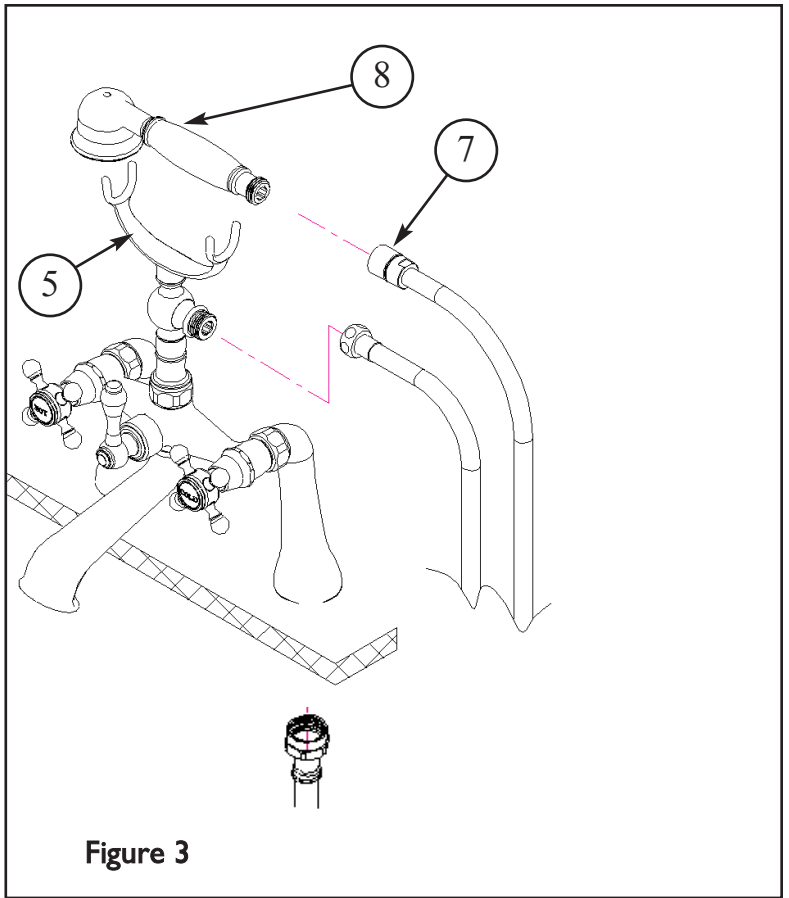
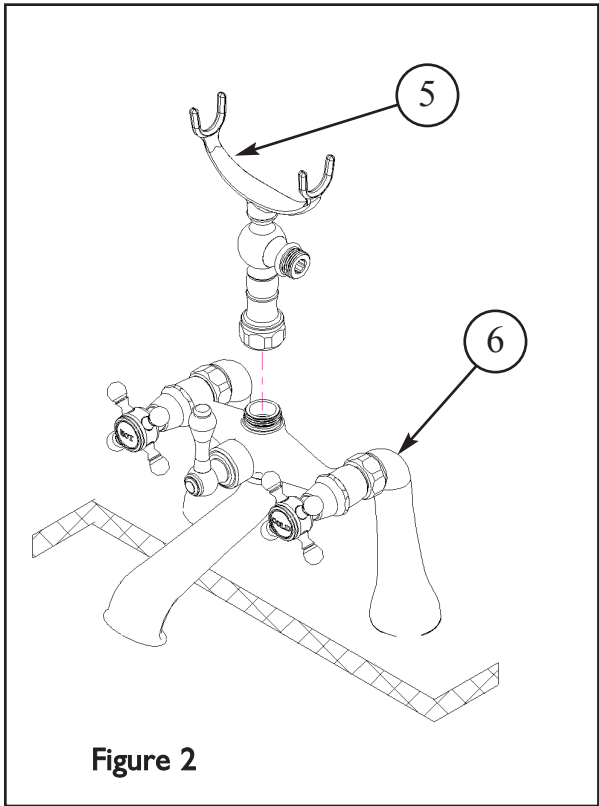
**Congratulations on the purchase
of your Newport Brass product,
an excellent choice, that will give you
years of quality service and enhance
the look and style of your home.**

Recommended Installation by a Professional Plumbing Contractor

Note: The use of petroleum base plumbers putty on our products will nullify the warranty. We recommend the use of clear silicone sealing materials. Recommended deck hole 2 @ $\text{Ø}1.25$ and 7 1/4" apart - center to center.

1. Place threaded SHANKS (1) through deck holes and fasten with steel WASHER (2), rubber WASHER (3) and mounting NUT (4). See Figure 1.
2. Thread hand shower RISER (5) to faucet BODY (6). See Figure 2.
3. Attach the flex HOSE (7) to RISER (5) and hand SHOWER (8). (Hand-tighten and secure each connection with a wrench 1/4 turn.) See Figure 3.
4. Connect hot/cold water supply to appropriate 3/4" NPSM valve BODY (6), utilize adapter I 1068 if 3/4 NPT is required. Supply risers not included. See Figure 3. For exposed installation see Figure 4.
5. Check for leaks and make any final adjustments required.





Exposed Installation

