

# JACOBEEAN

## Single Handle Kitchen Faucet with Sidespray

# 2470-5313

### Features

- Solid brass construction
- Euro-motion ceramic disc 35 mm valve cartridge
- Side-mounted ADA compliant lever handle
- Independent rotational and pivoting lever handle elements
- Swivel spout assembly with top-accessible diverter
- Solid brass pull-out sidespray assembly
- 7-11/16" (19.5 cm) spout height at outlet
- 9-1/16" (23.0 cm) spout reach (c-c)
- For two hole configurations
- 1.8 gallons (6.8 liters) per minute maximum flow rate

### Codes / Standards Compliance

Meets or exceeds the following at date of manufacture:

- ASME A112.18.1/CSA B125.1
- IAPMO/cUPC
- IPC
- NSF 61
- ADA
- ICC/ANSI A117.1
- Energy Policy Act of 1992
- All applicable US Federal and State material regulations



### Colors / Finishes

- 10B: Oil Rubbed Bronze
- 15: Polished Nickel
- 15S: Satin Nickel - PVD
- 26: Polished Chrome
- Other: Refer to the Newport Brass catalog for additional color/finish options.

### Specified Model

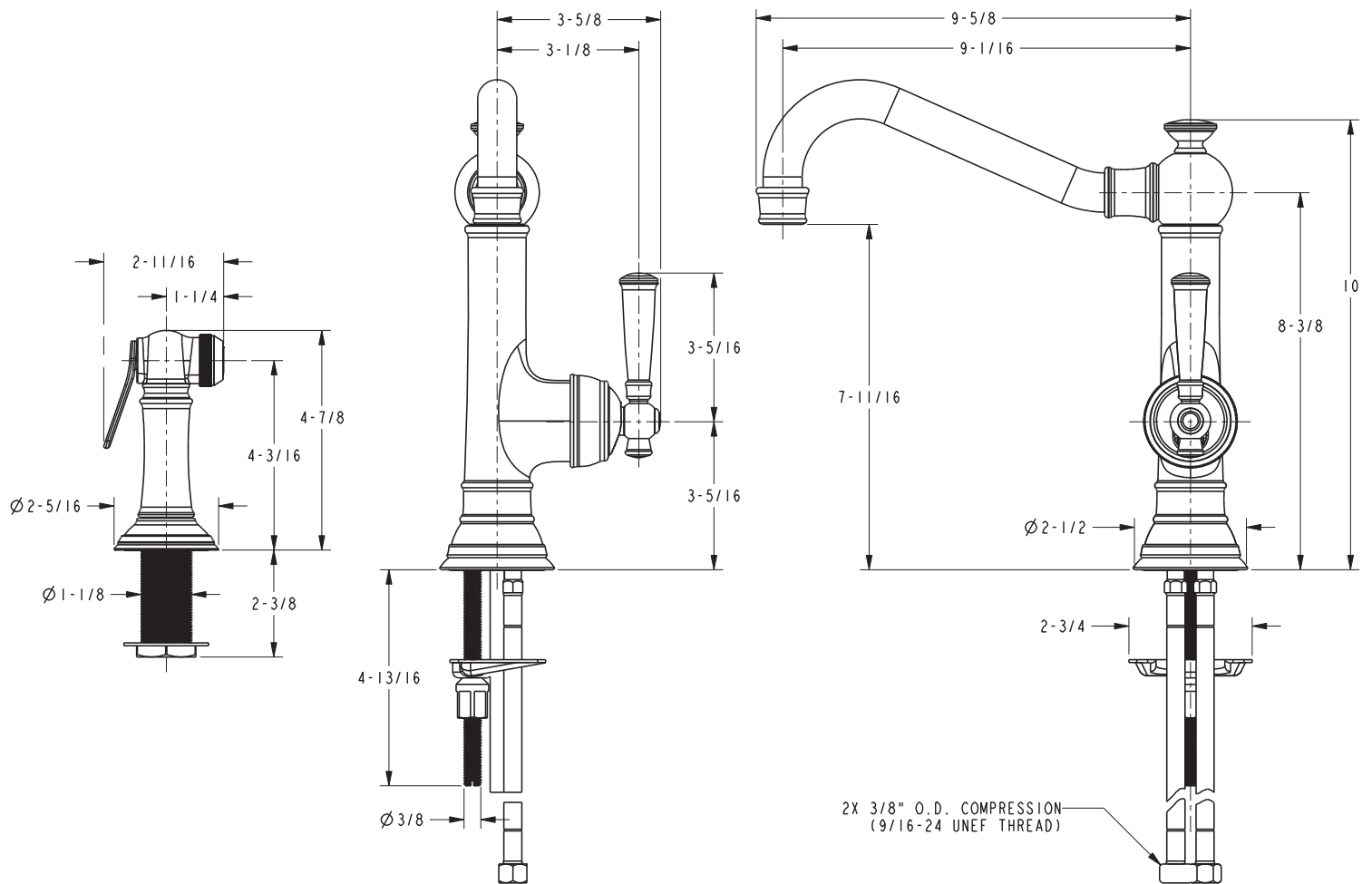
Model	Description	Colors   Finishes				
2470-5313	Single Handle Kitchen Faucet with Sidespray	<input type="checkbox"/> 10B	<input type="checkbox"/> 15	<input type="checkbox"/> 15S	<input type="checkbox"/> 26	<input type="checkbox"/> Other

### Product Specification Add "Color / Finish" suffix to Model number, below.

The Single-Handle Kitchen Faucet with Sidespray shall be made of solid brass construction. Faucet shall incorporate a swivel spout assembly with top-accessible sidespray diverter assembly and feature a Euro-motion ceramic disc 35 mm valve cartridge. Faucet shall have a 1.8 gallons (6.8 liters) per minute maximum flow rate. Product shall require two holes for installation. Product shall incorporate a 7-11/16" (19.5 cm) spout height at outlet and a 9-1/16" (23.0 cm) spout reach (c-c). Faucet shall incorporate a side-mounted ADA lever handle having Independent rotational and pivoting elements. Single-Handle Kitchen Faucet with Sidespray shall be Newport Brass Model 2470-5313/\_\_\_\_.

# 2470-5313

## PRODUCT DIMENSIONS *(Units are in inches)*



### Jacobean Single Handle Kitchen Faucet with Sidespray 2470-5313