

4

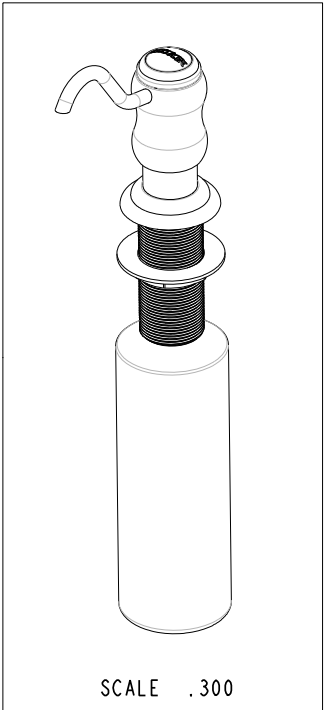
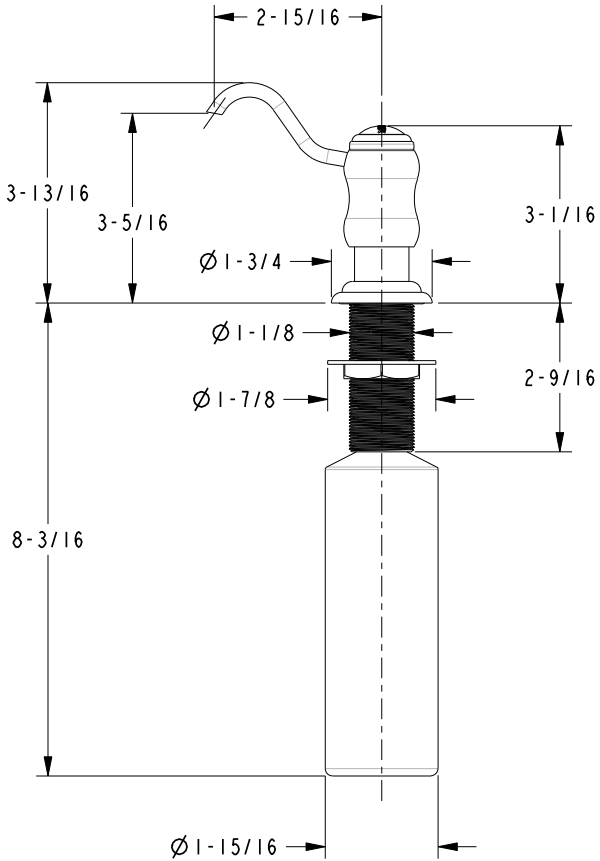
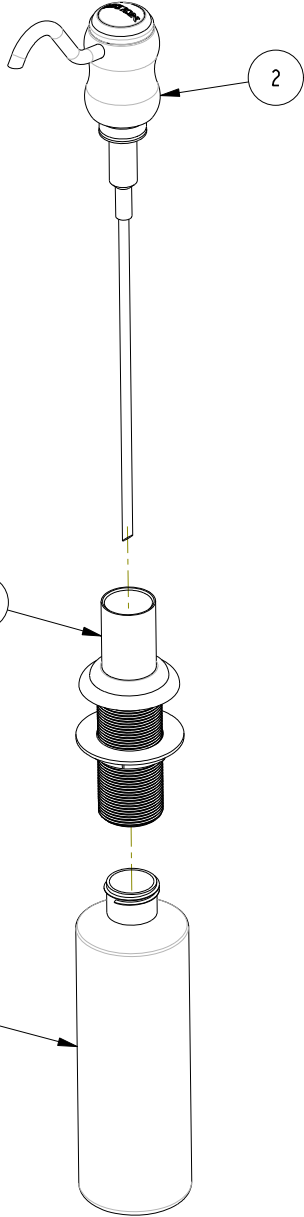
3

2

1

**BILL OF MATERIAL (CURRENT LEVEL)**

ITEM	PT/ASSY	DESCRIPTION	TYPE	QTY.
1	2-816	SOAP DISPENSER BODY ASM	ASSEMBLY	1
2	124-6	SOAP DISPENSER PUMP HEAD	ASSEMBLY	1
3	125-9	SOAP DISPENSER BOTTLE	PART	1



COPYRIGHT 2005 BRASSTECH, INC. THESE DRAWINGS AND THE DESIGNS DEPICTED HEREIN ARE THE PROPRIETARY PROPERTY OF BRASSTECH. ANY USE OR REPRODUCTION IS SUBJECT TO THE EXPRESS APPROVAL OF BRASSTECH. UNAUTHORIZED USE IS STRICTLY PROHIBITED. ALL RIGHTS RESERVED.

**BRASSTECH** 2001 E. CARNEGIE AVE.  
 INCORPORATED SANTA ANA, CA 92705  
 (949) 417-5207

**SOAP/LOTION DISPENSER**

ASSY. NO. 124		SHEET 1 OF 1	
SCALE .300	REF. -	REV	REV DESC
		DATE	

4

3

2

1