

4

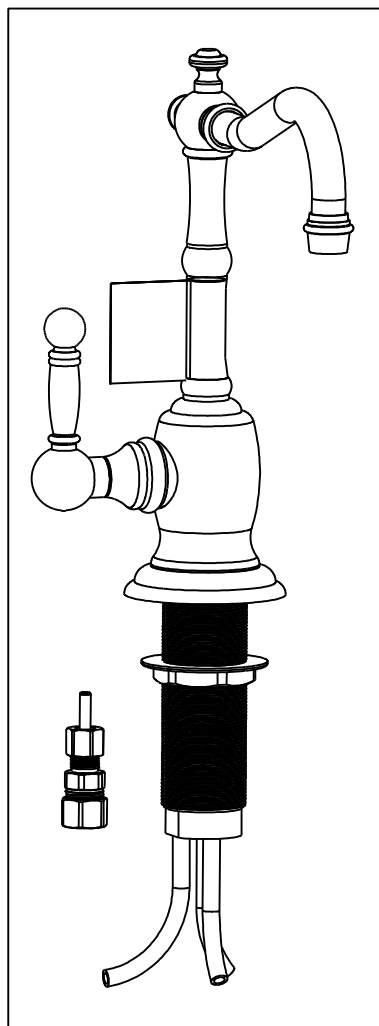
3

2

1

NOTES:

- (N1) 1. FIT / FORM / FUNCTION SHALL FOLLOW PS-E.008.
- 2 APPLY LOCTITE 680
- 3 SLIT AND SHORTEN O-RING BY .13" TO .20" IN LENGTH BEFORE INSTALL
- 4 SLIT O-RING BEFORE INSTALL
- 5 USE TEFLON TAPE BETWEEN THESE TWO ITEMS
- (N6) 6 CONNECT WHITE AND RED TUBES TOGETHER AND WATER TEST WHOLE UNIT
- 7 BAG 5-035 IN A SEPERATE BAG
- (N8) 8 REWORK VALVE AS NECESSARY IF IT DOES NOT SELF-CLOSE DURING WATER TEST
- 9 INSTALLATION TORQUE: 11 - 14 FT- LB
- 10 INSTALLATION TORQUE: 30 FT-LB
- 11 LUBRICATE SPRING WITH SILICONE LUBRICANT
- 12 APPLY SILICONE LUBRICANT BETWEEN 19 & 20
- 13 PRE-CRIMPED THESE PARTS TOGETHER, SEE INSTALLATION INSTRUCTION
- 14 APPLY THIN FILM OF DOW CORNING 111



BILL OF MATERIAL (CURRENT LEVEL)

ITEM	PT/ASSY	DESCRIPTION	TYPE	QTY.
1	5-035	COUPLING & INSERT ASM	ASSEMBLY	1
2	5-061	ADAPTER/CARTRIDGE ASSY	ASSEMBLY	1
3	10117	ESCUTCHEON	PART	1
4	10174	NUT, QUICK CONNECT	PART	1
5	10306	SIDE FINIAL	PART	2
6	12589	WATER DISP LEVER HUB (TRAD)	PART	1
7	50066	COMPRESSION RING, 1/2	PART	3
8	50068	INSERT, HOSE	PART	3
9	50704	WATER DISP. BODY H (TRAD)	PART	1
10	50705	WATER DISP BODY CAP	PART	1
11	50706	WATER DISP SPOUT RET RING	PART	1
12	50708	WATER DISP HDL BONNET (TRAD)	PART	1
13	50711	LEVER HANDLE	PART	1
14	50712	WATER DISP SPOUT SHELL	PART	1
15	50714	WATER DISP. CAR.T HOLDER	PART	1
16	50722	WATER DISP SPOUT RISER	PART	1
17	50723	WATER DISP BALL FITTING	PART	1
18	50724	TUBE SPOUT 1/2" X 4 1/2"	PART	1
19	50768	RETAINER PLATE	PART	1
20	50770	NIPPLE	PART	1
21	91017	O-RING, #2- 012, EPDM, 65-75 DURO, NSF 61	PART	2
22	91100	O-RING, #2-006, EPDM, 65-75 DURO	PART	3
23	91217	O-RING, #2-020, EPDM, 65-75 DURO, NSF 61	PART	1
24	91231	O-RING, #2-136, EPDM, 65-75 DURO	PART	1
25	91374	RED IDENTIFIER	PART	1
26	91376	TUBE, RED, .250 OD X 4 FT	PART	1
27	91377	TUBE, BLUE, .250 OD X 4 FT	PART	1
28	91378	TUBE, HIGH TEMP, .250 OD X 4 FT	PART	1
29	91382	O-RING, #2- 012, TEFLON,	PART	1
30	91383	O-RING, #2- 014, TEFLON, NSF 61	PART	1
31	92000	SCREW 8 - 32 X 1/8 SS	PART	1
33	92016	SCRW, 10-24 X 3/4 SKT HD FLT PT SS	PART	2
34	92192	SCRW, 10-32 X 5/8 SKT HD CUP PT SS	PART	1
35	98043	TAG LABEL, HOT WATER WARNING	PART	1

-	K	EN-3205	12/13/16	J.A.
-	J	EN-2601	10/08/13	-
-	H	EN-2528	05/08/13	-
-	G	EN-2235	07/30/12	-
-	F	EN-2186	06/20/12	-
-	E	EN-1675	12/14/10	-
-	D	EO-0936	01/29/08	-
-	C	EO-0707	05/24/06	-
-	B	EO-0478	02/16/05	-
ZONE	REV	DESCRIPTION	DATE	APPROVED

COPYRIGHT 2005 BRASSTECH, INC. THESE DRAWINGS AND THE DESIGNS DEPICTED HEREIN ARE THE PROPRIETARY PROPERTY OF BRASSTECH. ANY USE OR REPRODUCTION IS SUBJECT TO THE EXPRESS APPROVAL OF BRASSTECH. UNAUTHORIZED USE IS STRICTLY PROHIBITED. ALL RIGHTS RESERVED.

TESTING	-	-	-
ASSEMBLY	-	-	-
PLATING	-	-	-
POLISHING	-	NEXT ASSY	USED ON
MACHINING	-	APPLICATION	
TOOLING FIXTURE #	REMOVE ALL BURRS AND SHARP EDGES		

UNITS ARE: INCHES [MM]			
TOLERANCES ARE:			
FRACTIONS	DECIMALS	ANGLES	
±1/16"	.X ±.1 [2.5]	±1°	
	.XX ±.06 [1.5]		
(X.XXX) DENOTES CRITICAL DIMS. ALL THREADS ARE CRITICAL			
DRAWN	AMARISH	01/27/17	
CHECKED	RAVINDRA	01/27/17	
APPROVED	J.A	01/27/17	

BRASSTECH
INCORPORATED

2001 CARNEGIE AVE.
SANTA ANA, CA 92705
(949) 417-5207

HOT WATER DISP, LEVER TRAD

DWG NO. 108H

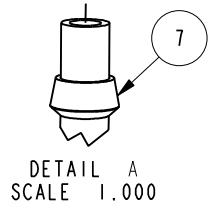
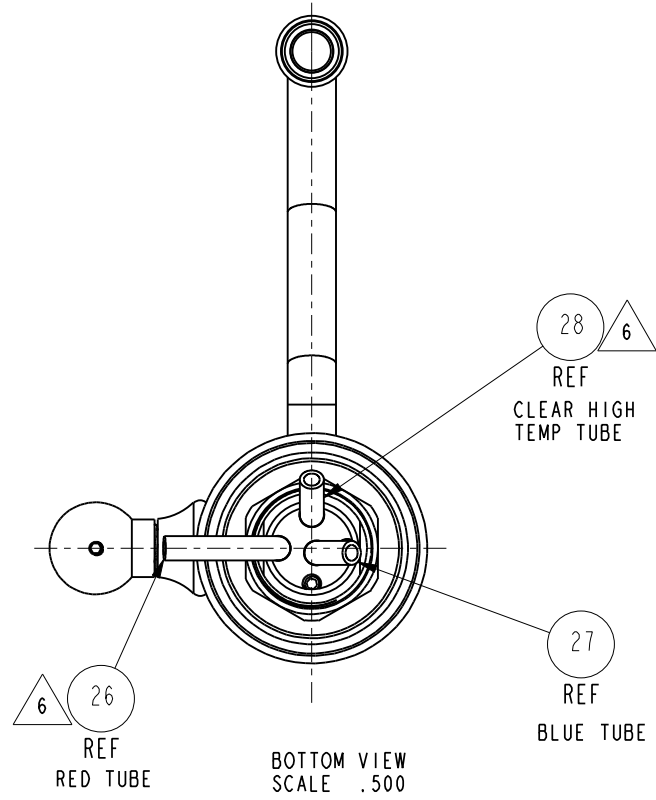
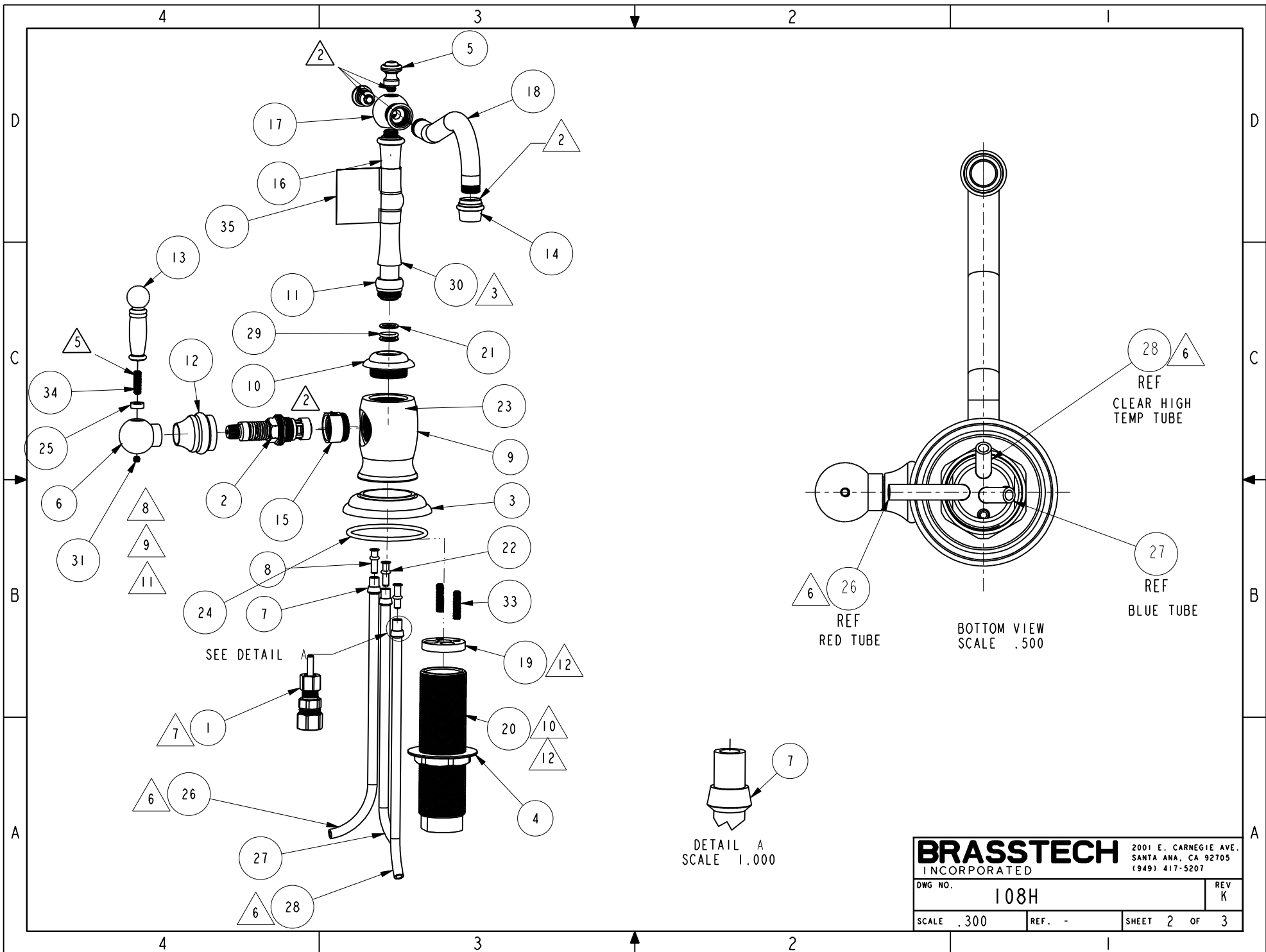
SCALE .350 REF. - SHEET 1 OF 3

4

3

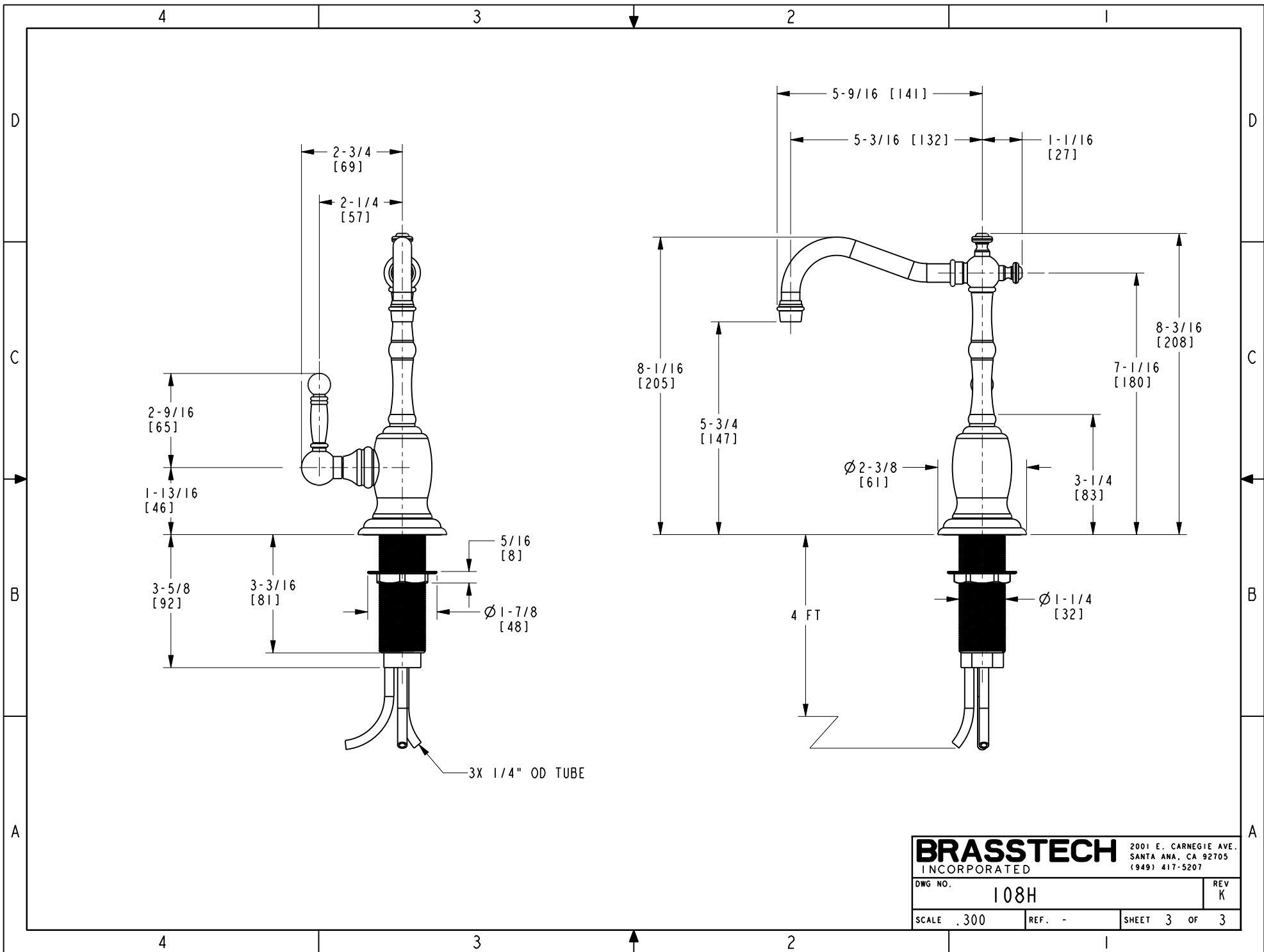
2

1



SEE DETAIL

BRASSTECH		2001 E. CARNEGIE AVE. SANTA ANA, CA 92705 (949) 417-5207	
DWG NO.	108H	REV	K
SCALE .300	REF. -	SHEET 2	OF 3



BRASSTECH		2001 E. CARNEGIE AVE. SANTA ANA, CA 92705 (949) 417-5207	
DWG NO.	108H	REV	K
SCALE	.300	REF.	-
SHEET 3		OF 3	