

INSTALLATION INSTRUCTIONS COLD WATER DISPENSER

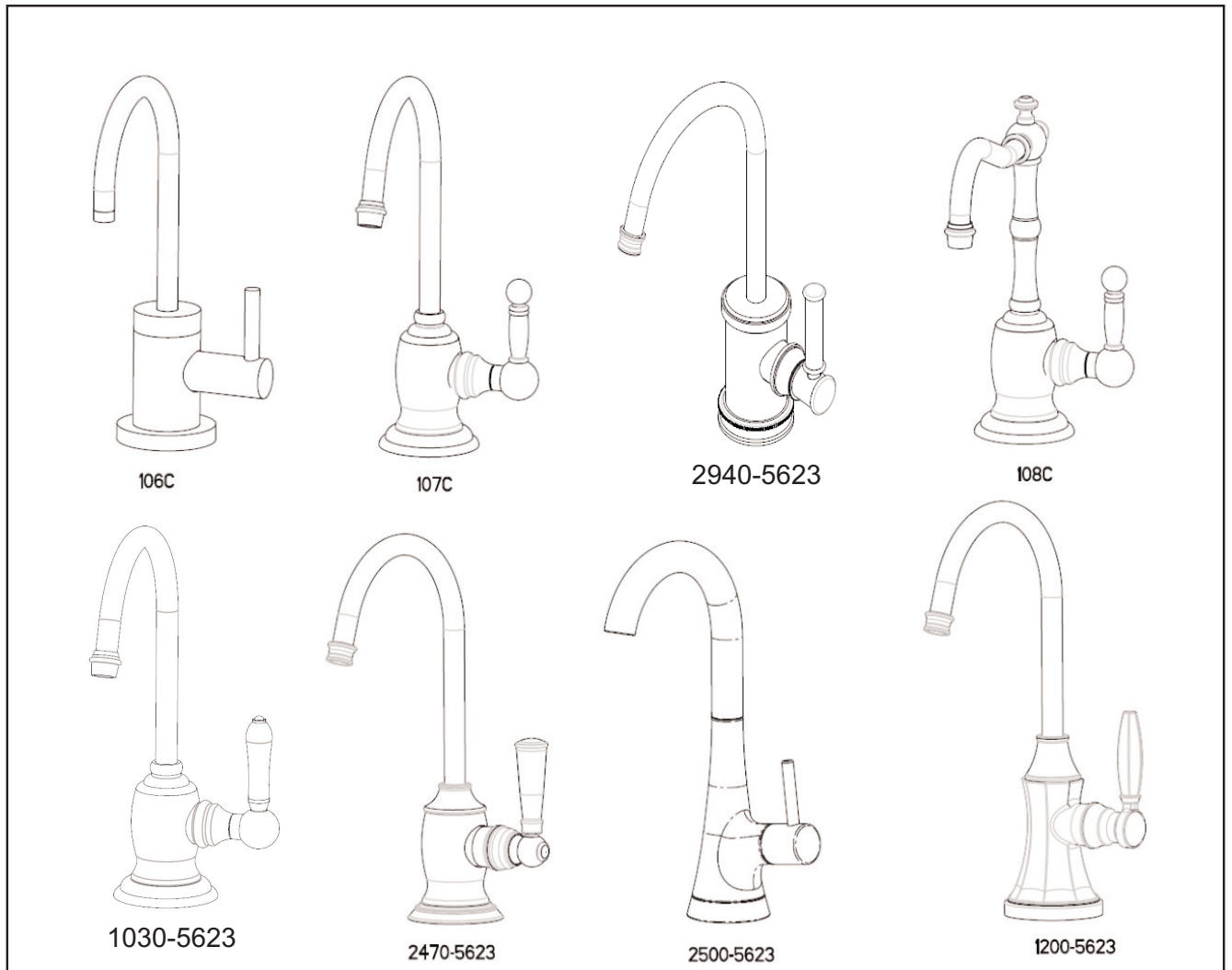
NEWPORT BRASS®

Flawless Beauty. From Faucet to Finish.™

Model Nos:

106C, 107C, 1030-5623, 108C, 2940-5623

2470-5623, 2500-5623, 1200-5623



**Congratulations on the purchase
of your Brasstech product,
an excellent choice, that will give you
years of quality service and enhance
the look and style of your home.**

Recommended Installation by a Professional Plumbing Contractor

Note: The use of petroleum base plumbers putty on our products will nullify the warranty. We recommend the use of clear silicone sealing materials. Recommended deck thru hole \varnothing 1.25" to \varnothing 1.38

INSTALLING FAUCET ON SINK (See Fig 1)

- Place the faucet inlet and mounting stud through escutcheon, o-ring, and mounting surface hole.
- Slide gasket and mounting crescent over mounting stud on underside of mounting surface and secure into place with mounting nut.

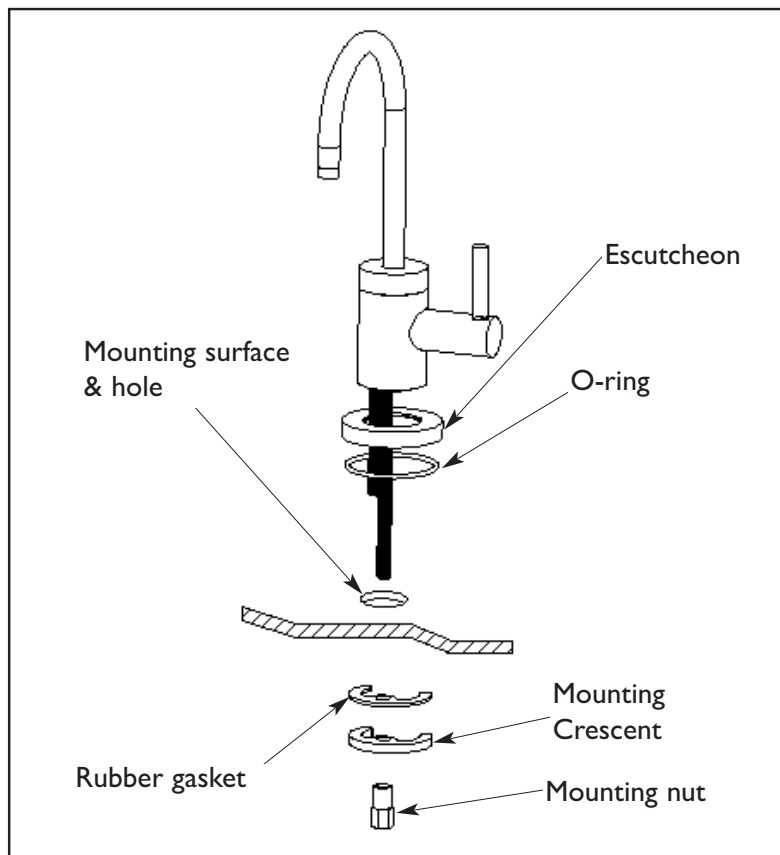


Figure 1

ATTACHING WATER SUPPLY CONNECTION (See Fig 2)

- Slide the 1/4" OD supply tube (not included) through compression nut and compression sleeve. Place insert into end of tube.
- Insert the end of tube into faucet inlet and thread compression nut onto the end of inlet.

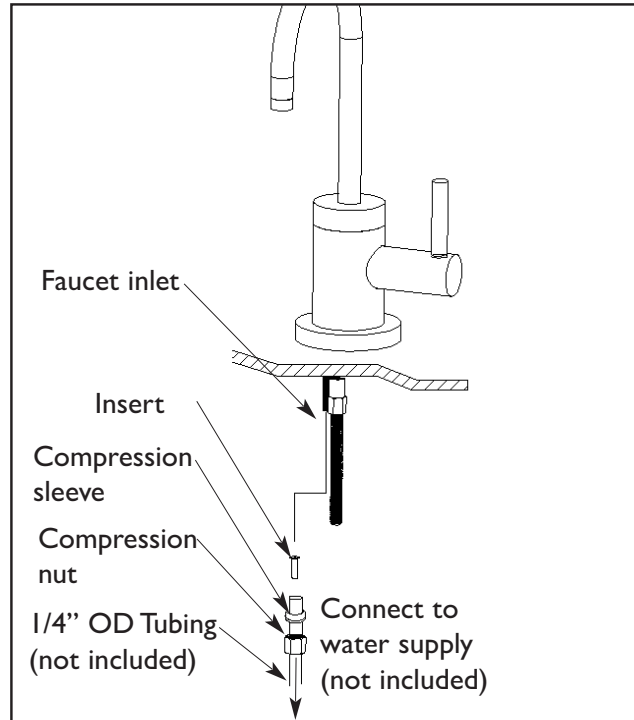


Figure 2

3. TEST INSTALLED FAUCET

- With handle in OFF position, turn on water supplies and check all connections for leaks.