

Features

- Classic styling.
- For use with 1/2" (12 mm) or 3/8" (10 mm) thick glass.
- Coordinates with Pinstripe® Suite.

Material

- Brass Construction.



Codes/Standards




None Applicable

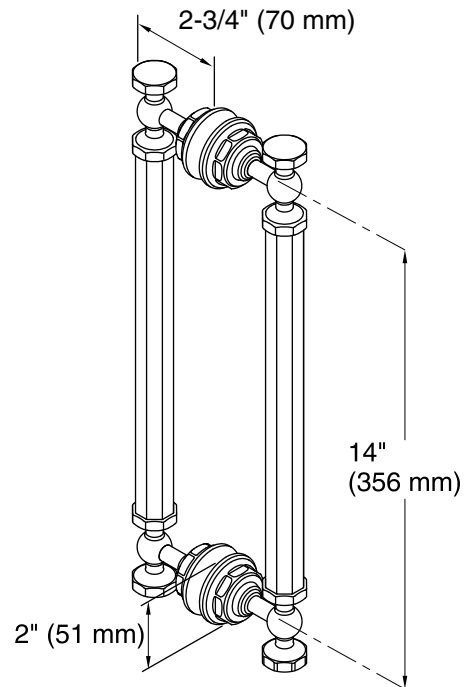
KOHLER® One-Year Limited Warranty

See website for detailed warranty information.

Available Color/Finishes

Color tiles intended for reference only.

Color	Code	Description
	SHP	Bright Polished Silver
	NX	Brushed Nickel
	ABV	Anodized Brushed Bronze



Technical Information

All product dimensions are nominal.

Notes

Install this product according to the installation guide.

This handle is designed to be paired with the Heavy Glass Pivot shower doors. For custom installations, Ø 1/2" holes are required at the dimensions shown.