

Features

- Center drain.
- Integral lumbar support.
- 72" (1829 mm) x 42" (1067 mm) x 21-3/16" (538 mm); 24" in height with base if used in freestanding application.

Material

- Cast iron with Safeguard® finish.

Installation

- Drop-in or freestanding.

Recommended Accessories

K-705 Freestanding Bath Base
K-709 Freestanding Bath Base
K-1172 Adjustable Feet
K-7159 1-1/2" Pop-up Bath Drain
K-128 Riser Tubes
K-707 Hardwood Towel Rails
K-708 Brackets and End Caps
K-1491 Bath/Whirlpool Pillow
K-1601 Bath/Whirlpool Footstop
K-7265 Clearflo Bath Drain
K-110-3 Floor Or Wall-Mount Bath Faucet
K-110-4 Floor Or Wall-mount Bath Faucet
K-110-9B Floor Or Wall-mount Bath Faucet
K-16210-4A Bath Faucet
K-331-4M Bath Faucet
K-6905-4 Bath Faucet



Codes/Standards






ASME A112.19.1/CSA B45.2
ASTM F462

KOHLER Enameled Cast Iron Bath and Shower Base Lifetime Limited Warranty

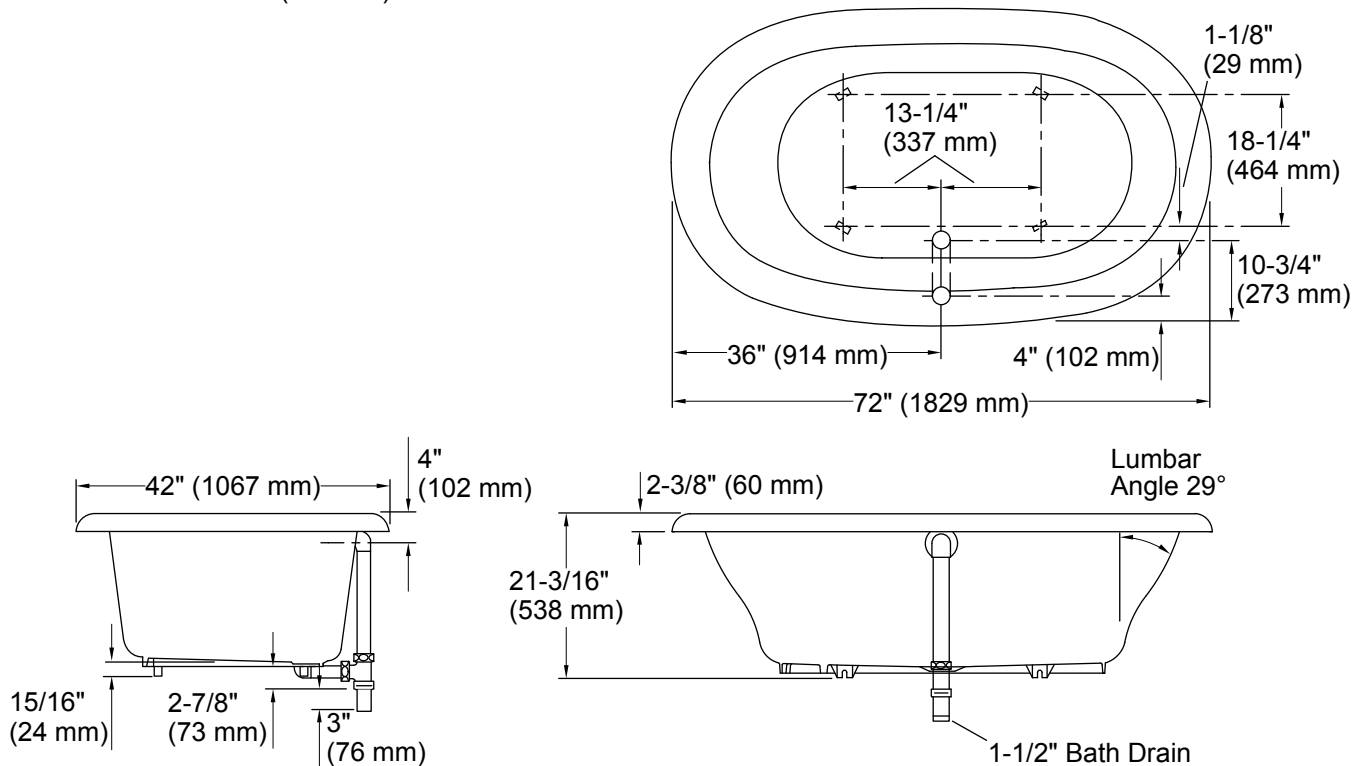
See website for detailed warranty information.

Available Color/Finishes

Color tiles intended for reference only.

Color	Code	Description
	0	White
	96	Biscuit
	47	Almond
	NY	Dune
	G9	Sandbar

No change in measurements if connected with drain illustrated. (K-7159)



Technical Information

All product dimensions are nominal.

Installation:	Drop-in, Freestanding
Drain location:	Center
Basin area, bottom:	44" x 24" (1118 mm x 610 mm)
Basin area, top:	60" x 32" (1524 mm x 813 mm)
Weight:	485 lbs (220 kg)
Minimum floor load:	57 lbs/ft ² (278.3 kg/m ²)
Water depth:	15" (381 mm)
Water capacity:	82 gal (310.4 L)
Template:	Drop-in, 106594-7, required, included

Notes

Measure your actual product for rough-in details.

Install this product according to the installation instructions.

The hot water supply should be 70% of the capacity of the bath or greater. Installations will vary.