



Harborview™

Countertop Utility Sink

K-6607-4

Features

- 50-inch minimum base cabinet width.
- Acid-resistant enamel finish.
- Top-mount or wall-mount with coordinating K-6617 legs (sold separately).
- Wide single bowl.
- 10-inch depth.
- Two sets of two faucet holes in backsplash with 8-inch centers.
- Integral apron and backsplash.
- 48" (1219 mm) x 28" (711 mm)

Material

- KOHLER® enameled cast iron.

Recommended Accessories

K-8801 Sink Strainer

Optional Accessories

K-6026 Wood Grate

K-6617 Table Legs



Codes/Standards





ASME A112.19.1/CSA B45.2

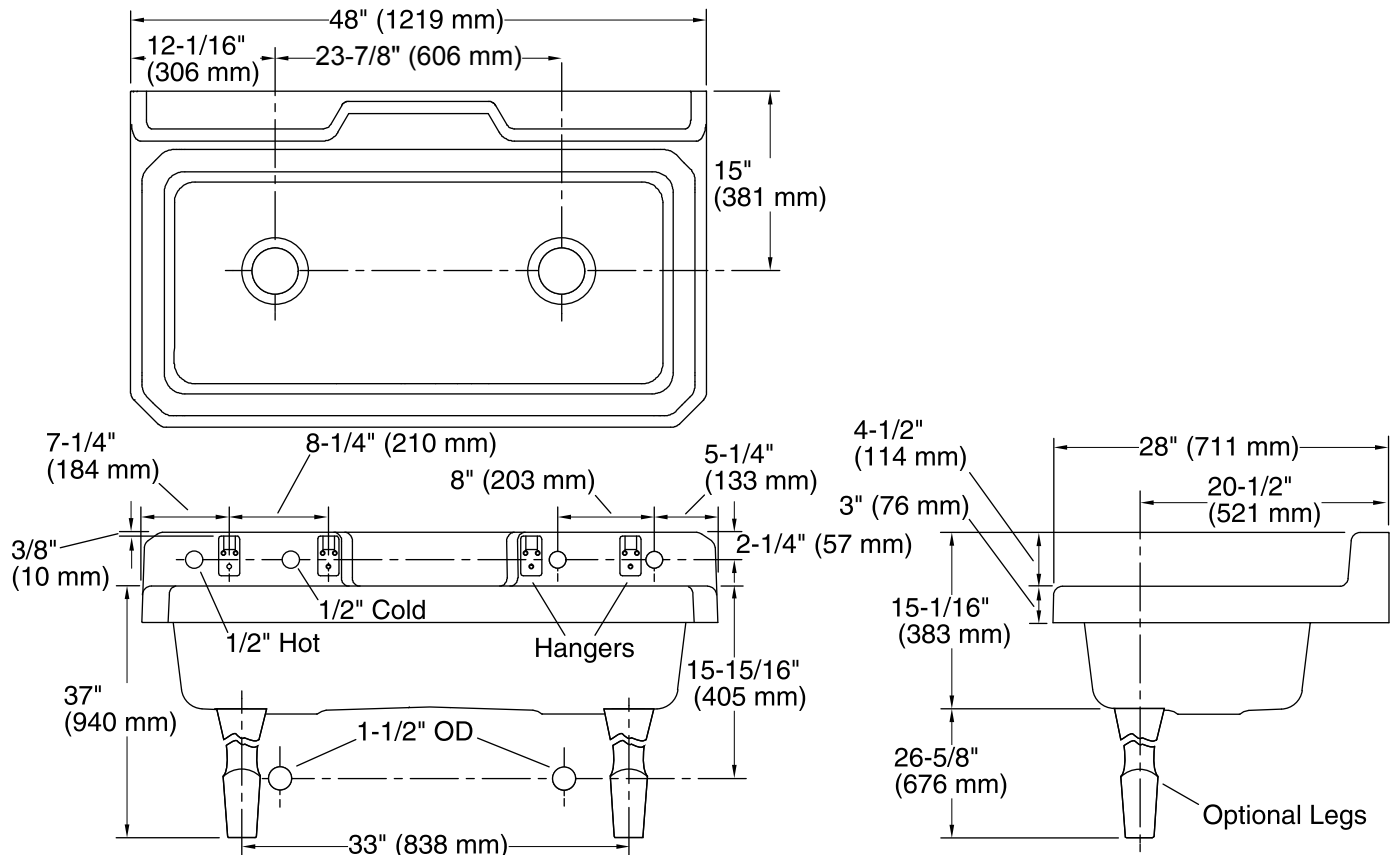
KOHLER® Enameled Cast Iron Kitchen Sink - Lifetime Limited Warranty

See website for detailed warranty information.

Available Color/Finishes

Color tiles intended for reference only.

Color	Code	Description
	0	White
	96	Biscuit
	47	Almond
	7	Black Black™



Technical Information

All product dimensions are nominal.

Bowl configuration:	Offset
Installation:	Top-mount
Cutout:	Top-mount, 44" x 20" (1118 mm x 508 mm) with 1-15/16" (49 mm) radius corners
Bowl area (Only)	Length: 42-7/16" (1078 mm) Width: 18-1/2" (470 mm) Bowl depth: 10" (254 mm)
Number of deck holes:	4
Faucet hole(s):	1-3/8" (35 mm)
Drain hole:	3-7/8" (98 mm)

Notes

Install this product according to the installation instructions.