

### Features

- Elongated seat with Cleansing Functionality.
- Two spray wands with adjustable water pressure, temperature, and pulsate functions.
- Heated seat with adjustable temperature settings.
- Automatic night light function to illuminate the bowl.
- Energy save function.
- Anti-microbial materials used in seat and nozzles.
- Quick-Release™ system to allow for easy removal for cleaning.
- Quiet-Close™ lid and ring prevents slamming.
- Air blower function allowing selection of air temperature.
- Automatic deodorization function.



### Codes/Standards

ASME A112.4.2  
IAPMO/ANSI Z124.5  
UL 1431  
CSA C22.2 No. 64  
CSA C22.2 No. 68



### KOHLER® Intelligent Toilet and C3 Cleansing Seat Three-Year Limited Warranty

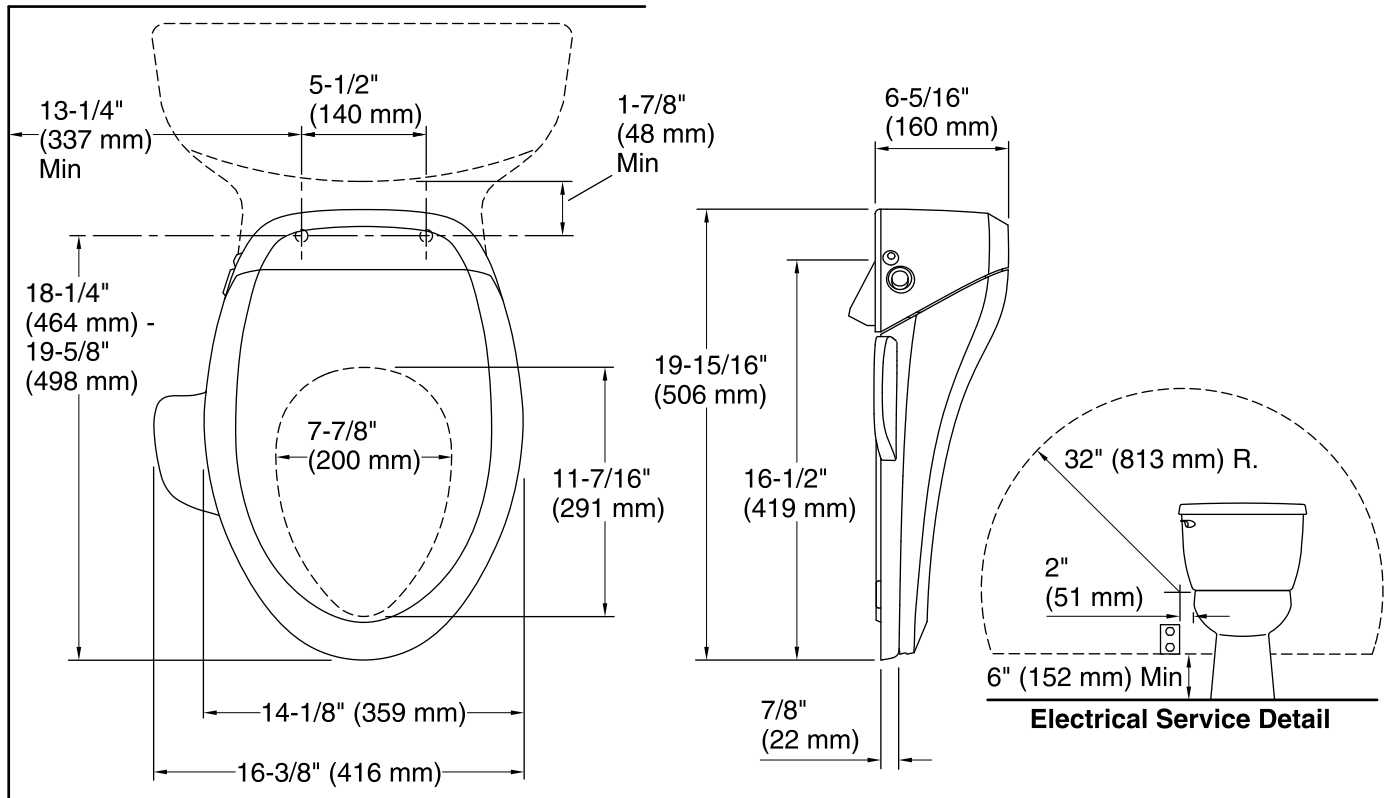
See website for detailed warranty information.

### Available Color/Finishes

*Color tiles intended for reference only.*

Color	Code	Description
-------	------	-------------

	0	White
	96	Biscuit



### Required Electrical Service

One dedicated circuit required, protected with Class A Ground-Fault Circuit-Interrupter (GFCI) or Residual Current Device (RCD).

120 V, 15 A, 60 Hz

### Technical Information

All product dimensions are nominal.

- Seat shape type: Elongated
- Seat front type: Closed front
- Seat hinge type: Quiet-Close™, Quick-Release™
- Seat-mounting holes: 5-1/2" (140 mm)
- Power cord length: 43" (1092 mm)

### Notes

Install this product according to the installation guide.

**NOTICE:** Do not use an extension cord with this product.

**NOTICE:** Do not plug in the seat until instructed to do so in the installation guide. This will avoid possible product malfunction.

Locate the receptacle at least 6" (152 mm) above the floor, and within a 32" (813 mm) radius measured 2" (51 mm) from the bowl ledge.