

Product Information

Applicable product:	
Medicine cabinet with 107° door swing – plain glass	K-2913-PG
Medicine cabinet with 107° door swing – plain glass	K-2918-PG
Medicine cabinet with 107° door swing – plain glass	K-2936-PG
Medicine cabinet with 170° door swing – plain glass	K-2938-PG
Medicine cabinet with 170° door swing – plain glass	K-2939-PG
Medicine cabinet with 170° door swing – plain glass	K-2943-PG

Roughing-in opening for recess-mount installations:	
14-1/4" (362 mm) x 35-3/8" (899 mm) x 4" (102 mm)	K-2913-PG K-2938-PG
19-3/8" (492 mm) x 35-3/8" (899 mm) x 4" (102 mm)	K-2918-PG K-2939-PG
23-3/8" (594 mm) x 35-3/8" (899 mm) x 4" (102 mm)	K-2936-PG K-2943-PG

Optional accessories:	
Side-mirror kit for surface-mount installation	K-2878
Ganging kit	K-2879

Installation Notes

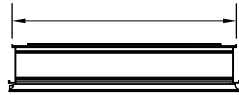
Install this product according to the installation guide.

When determining the height of the medicine cabinet, ensure the mirrored door will clear all obstacles (such as a faucet). A minimum distance of 3" (76 mm) is required.

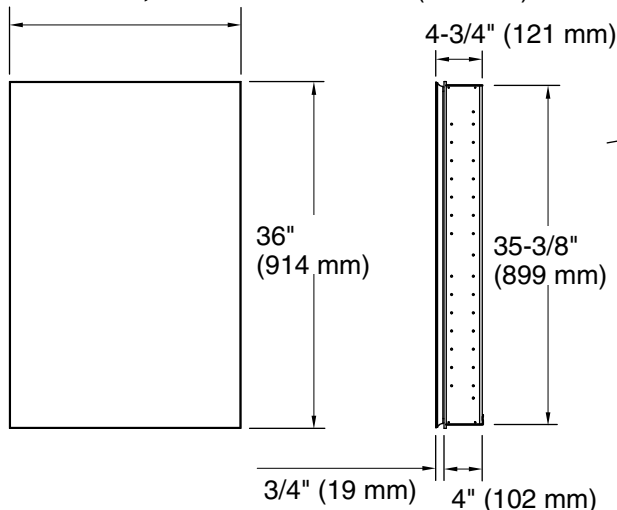
Secure the screws (provided) to a stud to avoid possible property and product damage. If this is not possible, anchors (not provided) must be inserted before installing the screws.

To find the combined roughing-in width for joined cabinets, add the roughing-in width for each cabinet and add 1" (25 mm) for each ganging kit.

K-2913-PG, K-2938-PG = 14-1/4" (362 mm)
K-2918-PG, K-2939-PG = 19-3/8" (492 mm)
K-2936-PG, K-2943-PG = 23-3/8" (594 mm)



K-2913-PG, K-2938-PG = 15" (381 mm)
K-2918-PG, K-2939-PG = 20-1/8" (511 mm)
K-2936-PG, K-2943-PG = 24-1/8" (613 mm)



K-2938-PG = 15" (381 mm)
K-2939-PG = 20-1/8" (511 mm)
K-2943-PG = 24-1/8" (613 mm)

