

### Product Information

Applicable product:			
5' VibrAcoustic bath	K-1167-VB		
5' VibrAcoustic bath with chromatherapy	K-1167-VBC		
Fixture*:			
Bathing well:			
Basin area, bottom	42-3/8" (1076 mm) x 20" (508 mm)		
Basin area, top	54-3/8" (1381 mm) x 24-5/16" (618 mm)		
Weight	75 lbs (34 kg)		
To overflow:			
Water depth	15-1/16" (383 mm)		
Capacity	59.8 gal (226 L)		
* Approximate measurements for comparison only.			
Drop-in cut-out	59-1/2" (1511 mm) x 28-1/2" (724 mm)		
Amplifier/control:	Power per channel (rms) W	V	Hz
	15	120	50/60

### Required Electrical Service

Dedicated circuit required, protected with Class A Ground-Fault Circuit-Interrupter (GFCI) or Residual Current Device (RCD):

Amplifier/control: 120 V, 15 A, 50/60 Hz

### Installation Notes

Install this product according to the installation guide.

Will comply with **ADA** when installed per Section 607 Bathtubs of the Act.

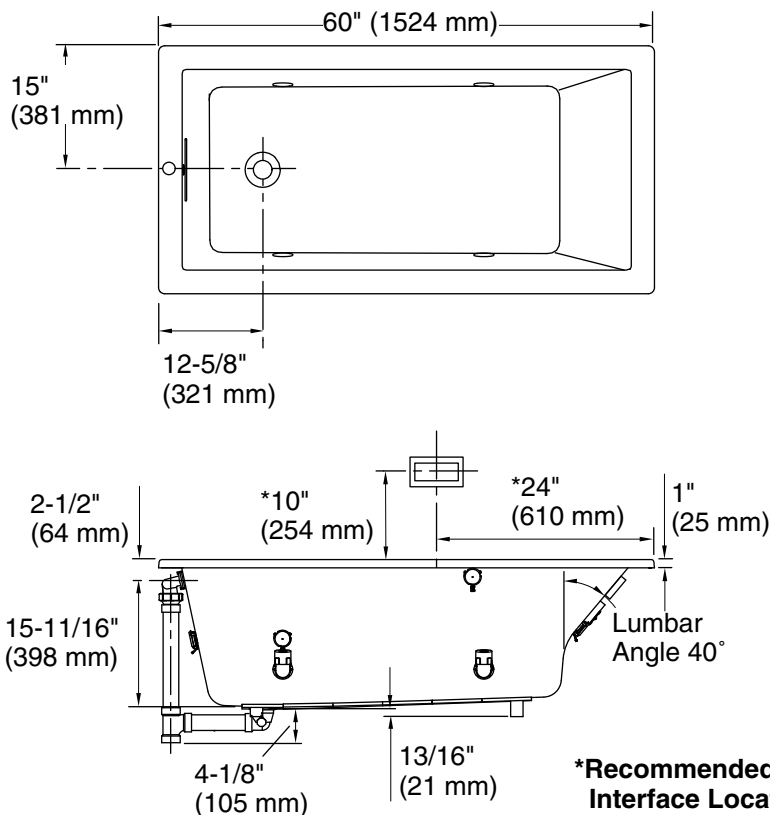
Control amplifier fits 16" (406 mm) center studs. 25' (7.6 m) cables are included.

A grounded outlet within the wall framing must be within 24" (610 mm) of the planned control amplifier.

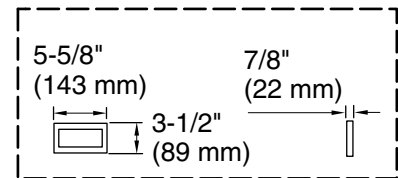
Floor support under bath must provide for a minimum of 50 lbs/square foot (242 kg/square meter) loading.

Ensure that the bath, user interface, amplifier, and transducers are functional before completing the installation.

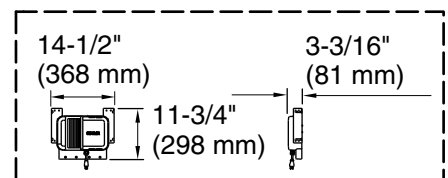
Fixture conforms to CSA B45.5/IAPMO Z124. All dimensions are nominal.



No change in measurement if connected with drain illustrated. (K-7272)



User Interface



Control Amplifier

