



### Features

- End drain.
- Two pillows for added comfort.
- 69-1/4" (1759 mm) x 69-1/4" (1759 mm) x 24" (610 mm)

### Material

- Acrylic

### Hydrotherapy

- Variable-speed pump for adjusting hydromassage intensity.
- Built-in 1500 W heater.
- Six fully adjustable Flexjet™ hydrotherapy jets for water flow and direction.
- Lighted keypad control.
- Remote control.

### Installation

- Drop-in or under-mount.
- Corner layout minimizes footprint without compromising bathing area.

### Required Accessories

K-9696 Whirlpool 6-Jet Trim Kit

### Recommended Accessories

K-588 Under-mount Installation Kit  
K-1601 Bath/Whirlpool Footstop  
K-7167 Clearflo Bath Drain  
K-9498 3" Keypad Trim



### Codes/Standards

ASME A112.19.7/CSA B45.10  
CSA B45.5/IAPMO Z124  
ASTM E162  
ASTM E662  
UL 1795  
CSA C22.2 No. 218.2  
Greenguard UL 2818 - Gold  
CARB P2



### KOHLER® One-Year Limited Warranty

See website for detailed warranty information.

### Available Color/Finishes

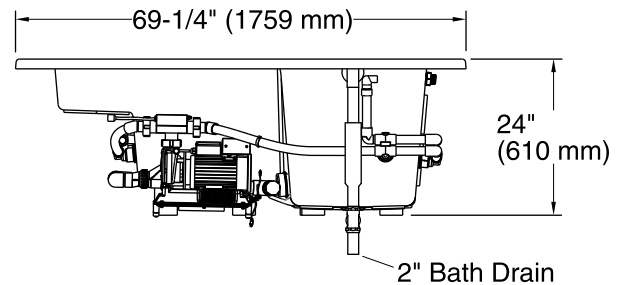
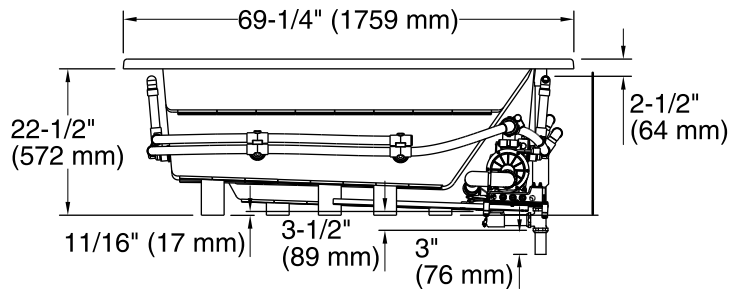
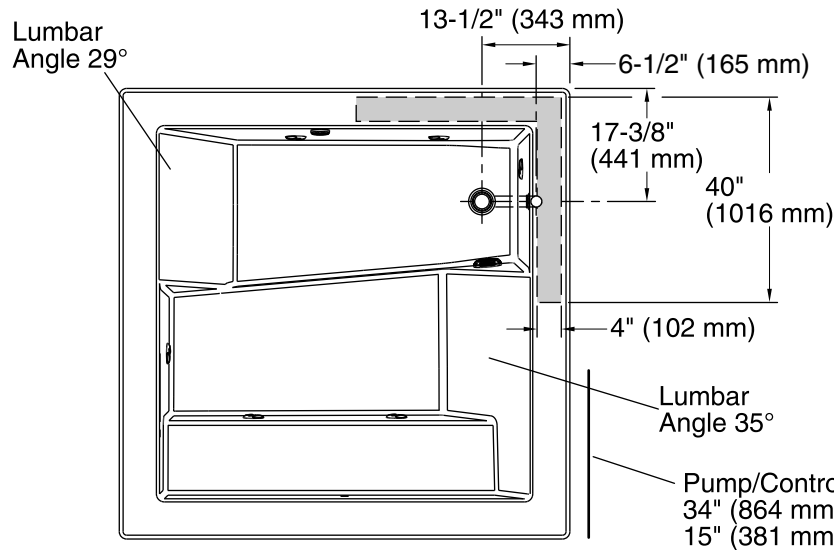
*Color tiles intended for reference only.*

Color	Code	Description
-------	------	-------------

	0	White
	96	Biscuit

No change in measurements if connected with drain illustrated. (K-7167-AF)

Recommended faucet area.



### Required Electrical Service

One dedicated circuit required, protected with Class A Ground-Fault Circuit-Interrupter (GFCI) or Residual Current Device (RCD).

Pump, Heater: 220-240 V, 20 A, 50/60 Hz

### Technical Information

All product dimensions are nominal.

Installation:	Corner, Drop-in, Under-mount
Drain location:	End
Basin area, bottom:	45" x 43" (1143 mm x 1092 mm)
Basin area, top:	57" x 57" (1448 mm x 1448 mm)
Weight:	300 lbs (136.1 kg)
Minimum floor load:	53 lbs/ft <sup>2</sup> (258.8 kg/m <sup>2</sup> )
Water depth:	19-1/2" (495 mm)
Water capacity:	170 gal (643.5 L)
Cutout:	Drop-in, 68" x 68" (1727 mm x 1727 mm)
Electrical component rating:	Pump: 240 V, 11 A Heater: 240 V, 6.25 A
Pump speed:	Variable

### Notes

Measure your actual product for rough-in details.

Install this product according to the installation instructions.

The hot water supply should be 70% of the capacity of the bath or greater. Installations will vary.

Kit is required for under-mount installations (sold separately).

If installing a rim-mount faucet, make sure there is no interference with drain overflow before drilling any holes. Consult local and national codes for minimum air gap requirements if installing a spout on the faucet deck.