

**CLAUDIA  
69" ACRYLIC DOUBLE  
ROLL TOP TUB**

Cat. No.  
ATDR7H69I



L: 67"  
W: 29-1/8"  
H: 24"

Water depth: 17-1/8" to top of tub  
Water depth: 12-3/4" to OF

**Features:**

- ▶ Interior and exterior walls acrylic sheets
- ▶ Space between walls partially filled with fiberglass & resin
- ▶ 7" centers in tub deck and overflow
- ▶ Cast aluminum imperial feet available in 4 finishes
- ▶ Tub is thoroughly inspected before shipment

**Feet Finishes:**

- BN** Brushed Nickel
- CP** Polished Chrome
- PB** Polished Brass
- ORB** Oil Rubbed Bronze

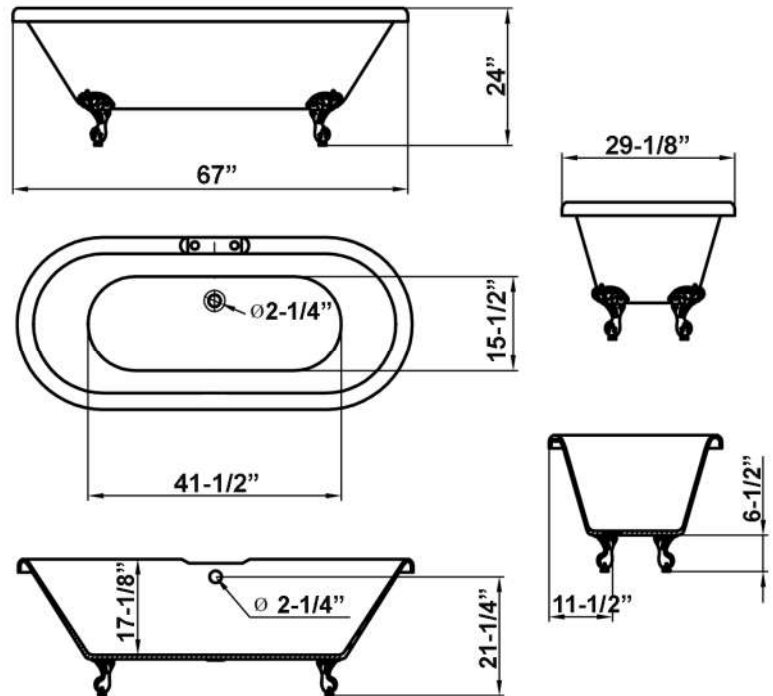


**Custom Colors Available** (inside of tub is always white enamel):  
Painted bathtubs are considered "special order" and are not returnable  
\$160 Bisque or Black \$250 Designer Color

**The following is recommended for ATDR7H tubs:**

- Rim-mounted faucets: part #4601 or 7529
- Straight bath supplies: part #5577
- Leg tub drain: part #5599E

Gallon Capacity : 59  
Shipping Weight: 340 lbs.  
Empty Weight: 115 lbs.  
Filled Weight: 608 lbs.



Dimensions of fixture are nominal and specifications subject to change without notice.