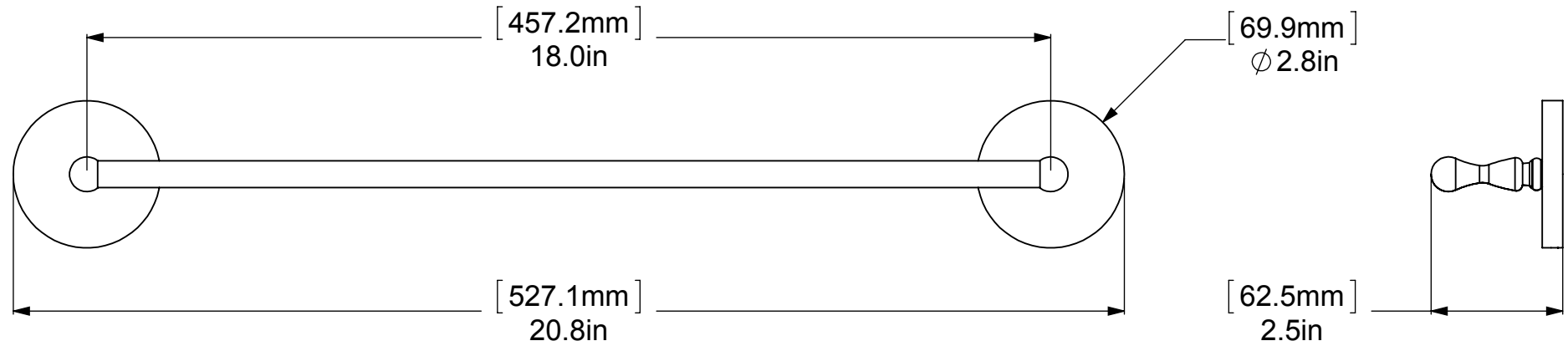
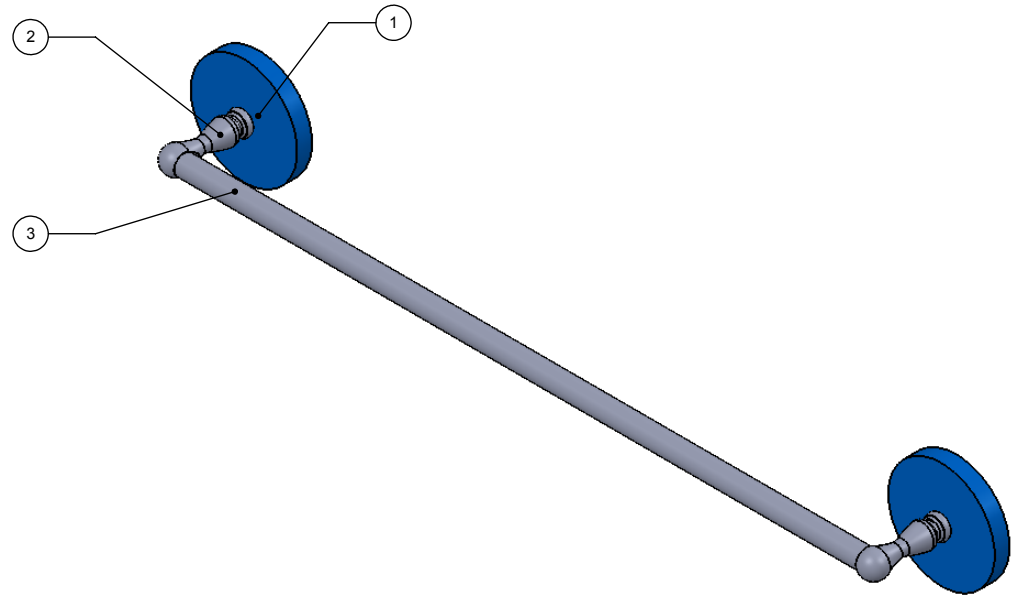


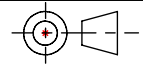
ITEM NO.	P/N	Description	QTY.
1	BPRD	BACKPLATE	2
2	PSTDS-12	POST	2
3	TU12-18,24,30,36	TUBE	1



UNLESS OTHERWISE STATED

.X	±.3mm
.XX	±.15mm
.XXX	±.008mm

COPYRIGHT © Allied Brass 2016



THIRD ANGLE PROJECTION

DRAWN	12/15/2016	I.M
CHECKED	12/15/2016	P.D
APPROVED	12/15/2016	R.A

MATERIAL:	BRASS
DESCRIPTION:	TOWEL BAR

FINISH	TBD
QUANTITY	TBD
DRAWING No.	1031
REV	0
SCALE	1:3
SHEET: 01	A4