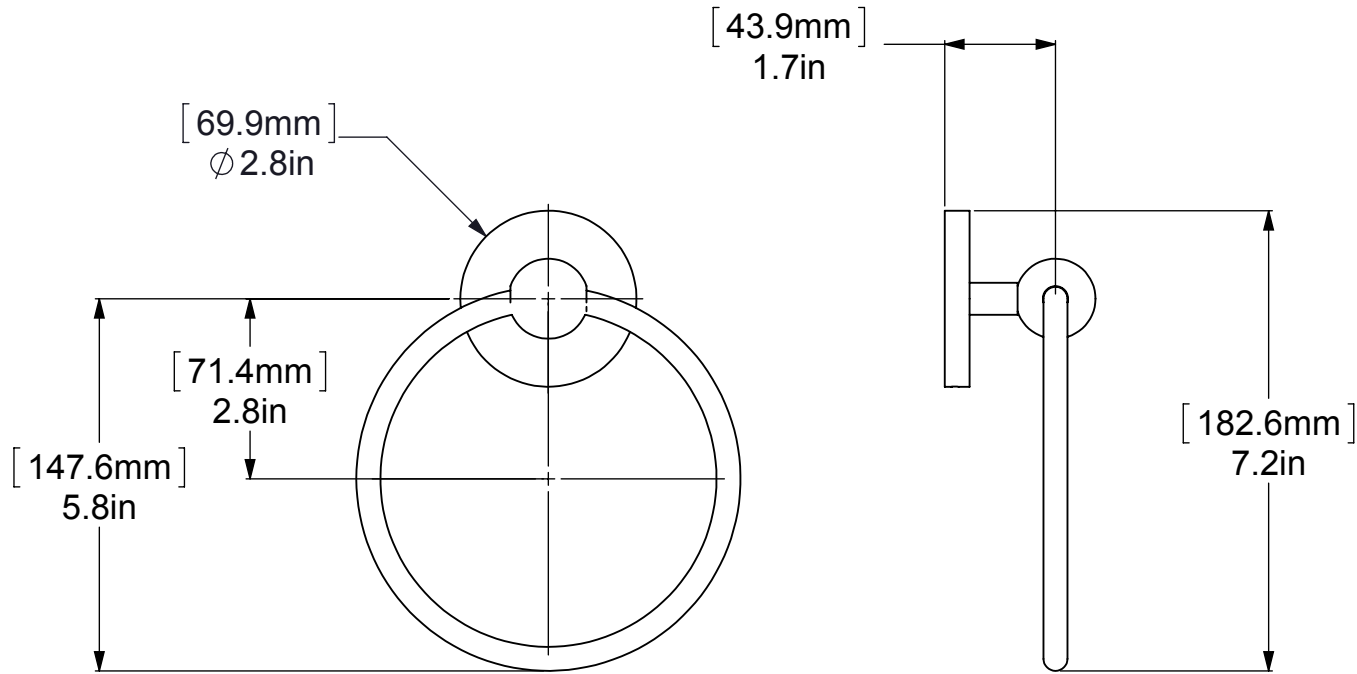
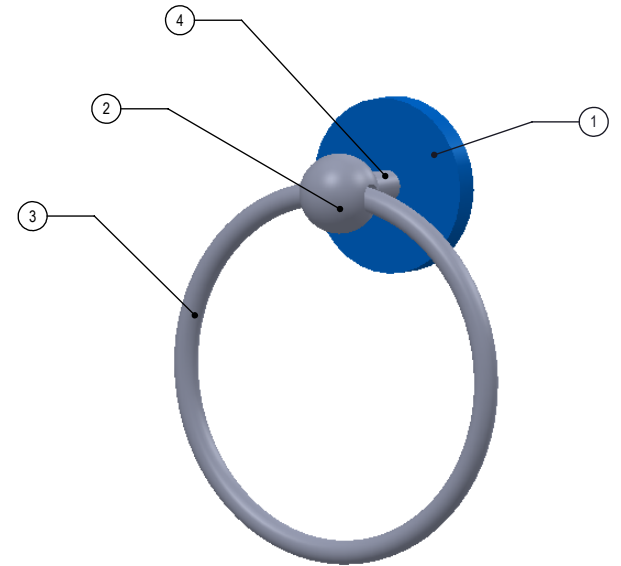


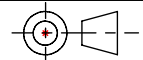
ITEM NO.	PART NUMBER	DESCRIPTION	QTY.
1	BPRD	Base	1
2	BLTSR-1	RING SUPPORT	1
3	TRMT-6	RING	1
4	TU12-.75	MAIN TUBE	1



UNLESS OTHERWISE STATED

.X	±.3mm
.XX	±.15mm
.XXX	±.008mm

COPYRIGHT © Allied Brass 2017



THIRD ANGLE PROJECTION

DRAWN	6/13/2017	I.M
CHECKED	6/13/2017	P.D
APPROVED	6/13/2017	R.A

MATERIAL:	BRASS
DESCRIPTION:	Towel Ring

FINISH	TBD
QUANTITY	TBD
DRAWING No.	1016
REV	0
SCALE	1:3
SHEET: 01	A4